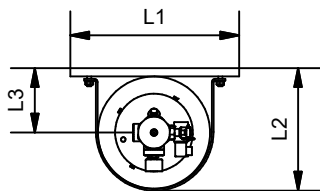
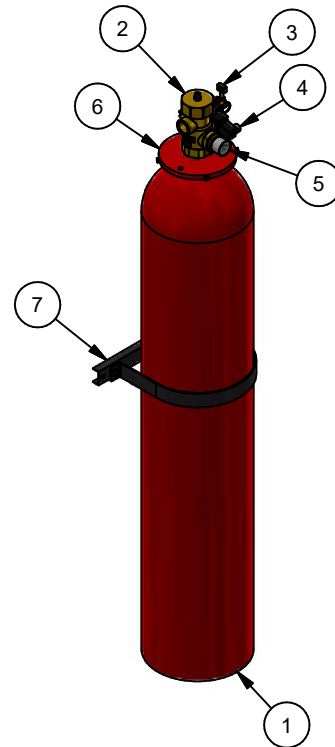
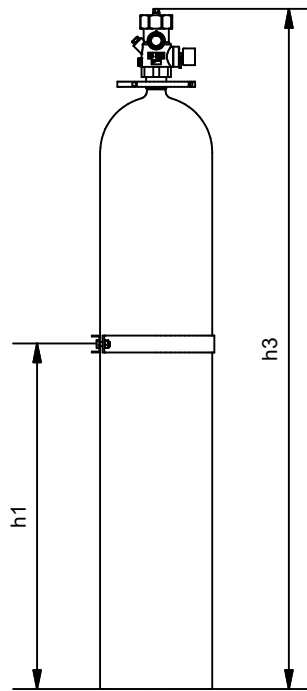
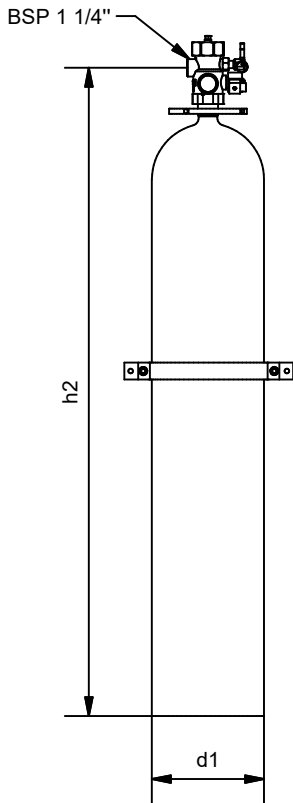


AUTONOMOUS CYLINDER 26.8 TO 67 L FK-5-1-12

AEX/FK(xxx)

Parts List					
Number	Reference	Description	AEX/FK026	AEX/FK040	AEX/FK067
1.1	BFE26	Cylinder 26.8 L	X		
1.2	BFE40	Cylinder 40.2 L		X	
1.3	BFE67	Cylinder 67 L			X
2	AEX/VN160	Autonomous valve	X	X	X
3	AEX/PM160A	Hand lever	X	X	X
4	AEX/NKVS24	Solenoid valve	X	X	X
5	AEX-FKMCNC42	Manometer	X	X	X
6	BRR112-1	Flange for cylinders with valve AE160	X	X	X
7.1	H364	Ironworks cylinders 26.8 to 40.2 L	X	X	
7.2	H402	Ironworks cylinders 67 L			X



Specifications			
Reference	AEX/FK026	AEX/FK040	AEX/FK067
Capacity	26.8 L	40.2 L	67 L
Minimum load	12.9 Kg	19.3 Kg	32.2 Kg
Maximum load	32.1 Kg	48.2 Kg	80.4 Kg
h1	500 mm	650 mm	800 mm
h2	1000 mm	1300 mm	1600 mm
h3	1080 mm	1380 mm	1680 mm
d1	229 mm	229 mm	267 mm
L1	364 mm	364 mm	402 mm
L2	255 mm	255 mm	292 mm
L3	135 mm	135 mm	154 mm

Description: Autonomous cylinder equipped with ironwork, solenoid, manual lever and pressure gauge.

Sheet code:	Solution sheet:	Reference:	Drawn:	Date:	Revised:	Date:	Revision:	Format:
AEX-FTC-61-002	FK-5-1-12	AEX/FK(xxx)	DCM	12-09-23	ENC	12-09-23	1.2	A4